

## JAEGAR Scout

### Mid-range camera platform with through shaft

The Jaegar Scout is a ready to go surveillance system, ideal for mid-range surveillance applications. The addition of a fixed through shaft, running through the PT, allows the cameras to rotate 360° continuously while keeping a payload on top fixed in position, perfect to twin with radar.

Jaegar Scout is perfect for mid-range surveillance applications and is offered with a proven DRS, 17µm VOx thermal module twinned with either a SD or HD video camera featuring a powerful optical zoom lens allowing the operator to both detect and then zoom into the area of interest. Both thermal and video outputs are provided simultaneously.

The robust aluminium housings are rated to IP67 and are anodised and powder coated to withstand harsh environmental conditions. The PT employs harmonic drive gearing with virtually zero backlash and the optical encoder ensures the unit retains position and will even self correct.

The Jaegar Scout can easily be integrated within a larger security infrastructure and is the perfect partner for supporting radar systems with top mounting allowing obstruction-free detection.

#### Key features:

- HD or SD video cameras with powerful optical zoom lens
- Uncooled 9 degree 35mm thermal imaging camera
- IP or HD-SDI options
- One mast solution
- Virtually zero backlash
- Through shaft for mounting fixed platforms on top
- IP67 environmental protection (IP68 option)
- Absolute positioning feedback for radar control
- 360° continuous rotation
- Highly ruggedised for extreme environments
- Harmonic drive trains
- 45° per second pan speed



#### The Silent Sentinel Range

Silent Sentinel offer an extensive range of camera and lens configurations to meet your exact surveillance requirements.

Contact customer service for more information on our full range of products and bespoke design and build services.

Tel: + 44 (0)1992 558 093

[www.silentsentinel.com](http://www.silentsentinel.com)



OCULUS



AERON



OSIRIS



JAEGAR

## Jaegar standard and HD video range

| Video type                   | SD                            | HD                                  |
|------------------------------|-------------------------------|-------------------------------------|
| Optical zoom                 | 36x                           | 36x                                 |
| Digital enlargement          | 12x (432x combined)           | 12x (360x optical zoom)             |
| Image sensors                | 1/4" Exview CCD               | 1/2.8" Type Exmor CMOS sensor       |
| Resolution                   | 520TVL                        | Approx 3.27 million                 |
| Signal system                | PAL                           | HD: 1080p/SD: NTSC/PAL              |
| Lens (wide to tele)          | F=3.4mm to 122mm F1.6 to F4.5 | f=4.3mm to 129mm F1.6 to F4.7       |
| Angle of view - horizontal   | 58.° (W) to 1.7° (T)          | 54.1° (W) to 2.9° (T)               |
| Minimum illumination (S0IRE) | 1.4 lux colour, 0.01 lux mono | 1.7 lux, 0.01 lux in High Sens Mode |
| Video output                 | Composite                     | Digital                             |

## Jaegar thermal range

| Video type          | Thermal                        |
|---------------------|--------------------------------|
| Sensor type         | Uncooled VOx Microbolometer    |
| Pixel size          | 17 µ                           |
| Spectral band       | 8-14 µm                        |
| Thermal sensitivity | <50mK                          |
| Array format        | 320x240                        |
| Frames rates        | 9Hz, 25Hz                      |
| Image control       | White hot, Black hot, Invert   |
| Focus               | Fixed, preset, Athermalised    |
| Zoom                | E-zoom 1-4, Region of interest |
| FOV                 | 9°-35mm f1.2                   |
| Video output        | Composite                      |

## Common features

|                   |   |
|-------------------|---|
| IP rating         | IP67                                    |
| Actuation         | Pan and tilt stepper motors             |
| Position encoders | Optical encoders on pan and tilt motors |
| Repeatability     | 0.09°                                   |
| Pan rotation      | 360° continuous                         |
| Pan speed         | 0.02° -> 45°/Sec*                       |
| Tilt speed        | 0.02° -> 45°/Sec*                       |
| Tilt range        | +90° to -90°                            |

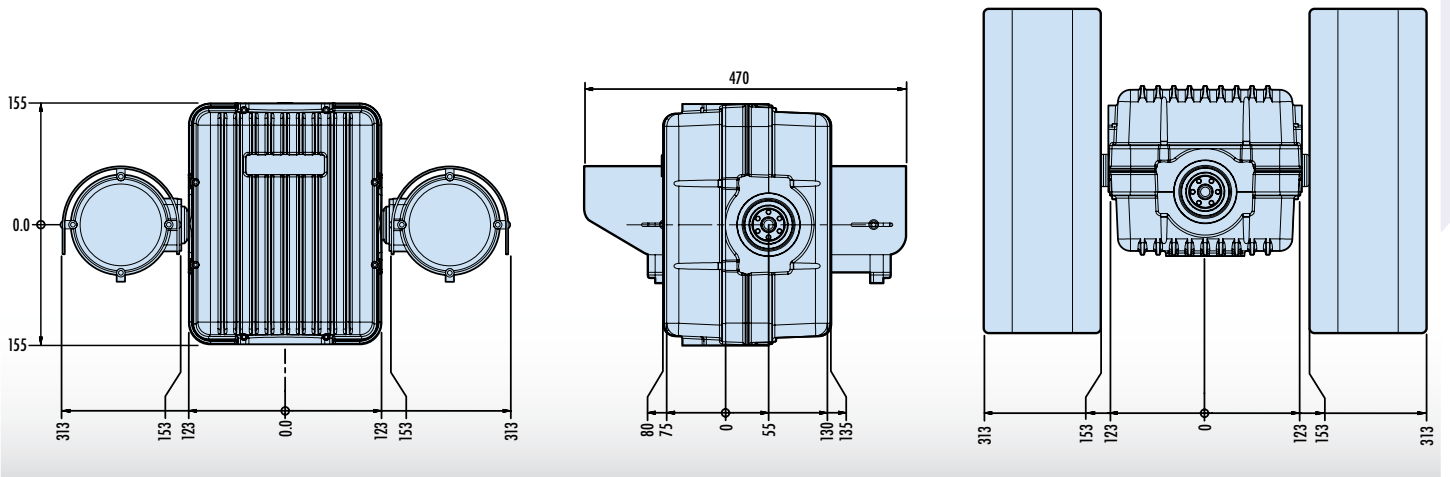
|                    |   |
|--------------------|---|
| Temperature range  | -30°C up to +65°C (-40°F with optional heater)<br>-22°F up to +149°F (-40°F with optional heater) |
| Power              | 28 - 32VDC 5.0 Amps   |
| Housing material   | Cast aluminium  |
| Housing finish     | Xylan undercoat with epoxy powder finish  |
| Fixings material   | Stainless steel   |
| Additional feature | Focal length dependent speed control<br>Equipped with external fall protection                    |

\*Subject to payload

## Ordering information

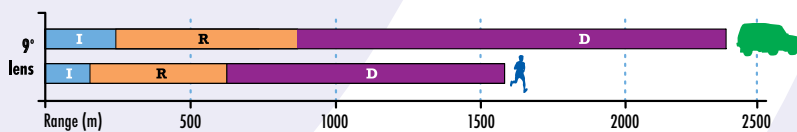
| Product code  | Product description    |
|---------------|------------------------|
| JPT-PSCOUT-FB | Jaegar Scout, Black    |
| JPT-PSCOUT-FW | Jaegar Scout, White    |
| JPT-HSCOUT-FB | Jaegar HD Scout, Black |
| JPT-HSCOUT-FW | Jaegar HD Scout, White |

## Dimensions (in millimeters)



## Detection, Recognition and Identification range charts

DA type thermal

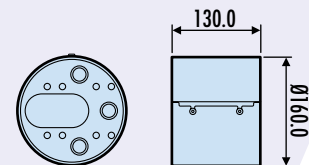


### Key to Johnson's Criteria charts

- D** Detection - an object is present (-2 pixels)
- R** Recognition - the object can be discerned (-8 pixels)
- I** Identification - the object can be identified e.g. male versus female, a specific car (-12.8 pixels)

Note: Ranges may vary depending on atmospheric conditions

## Tower mount bracket



Designed and manufactured in the UK.

Specifications may be subject to change without notice • DN140814 - 1.1c • © 2014