

# AERON

## A World Leading Short to Long Range Compact Surveillance Unit

The Aeron is a highly modular, ready to go, compact surveillance solution using video and thermal cameras which is ideal for short to long range surveillance applications.

The Aeron is a compact, rugged, continuous rotation PTZ camera that has been specifically designed for marine, harsh and challenging environments. With a range of features such as zoom thermal, cooled and uncooled thermal, HD and 4K video as well as IR and white light option, make the Aeron a versatile and cost effective solution.

A wide range of thermal and video cameras are available for the Aeron, all supplied in cable managed housings for protection in the harshest environments. With belt driven gears as standard the Aeron has virtually zero backlash ensuring the capture of stable images even at very long distances over land or water.

All Silent Sentinel Pan and Tilt systems are designed with absolute posing feedback as standard. So when twinned with radar or any automated control program it can be driven automatically to any threat detected and remain on target as the threat moves. As with all Silent Sentinel products the Aeron can easily be deployed as a standalone system or a combined solution to increase the performance.

The Aeron platform can be configured and optimised for a broad range of applications and operational theatres with the ability to detect, identify, track and react to the surveillance requirement.

### Key Features

- Supporting ranges up to 10.97km for human detection and 20.1km for vehicle detection.
  - Long range thermal cameras with zoom (up to 300mm).
  - HD/4k Low Light and 4k ULL (Ultra Low Light. 0.0006lux) colour cameras.
  - Infra Red (IR) or White Light Illumination options up to 500m.
  - Thermal camera contrast enhancements.
  - Multiple thermal colour palettes.
  - Focal length dependent speed control (zoom).
  - Anti fog, anti haze, image stabilisation, autofocus and auto tracking capabilities.
  - Absolute positioning feedback for radar control.
  - 360° continuous rotation.
  - High performing pan and tilt speeds up to 160° per second.
  - Virtually zero backlash with automatic self position correction.
  - Optical encoders for preset accuracy (0.05° repeatability).
  - Compact housings with wipers as standard\*.
  - ONVIF Profile S compliant.
  - Highly ruggedised for extreme and marine environments.
  - IP67, REACH, ROHS & CE Compliant.
- 
- Options include: Image Fusion, 2 Axis Gyro Stabilisation, Image Stabilisation, Automatic Object Tracking, Short to Mid Range Infra Red (IR) Illuminators, White Light (WL) Illumination, Hybrid IR/WL Illumination, Light Bars (500m IR or WL illumination), Heaters, Various Mounting Options, Custom Paint Colours, Radiometric, Bird Spikes, Sunshields and more.



**HD 4K**



### The Silent Sentinel Range

Silent Sentinel offer an extensive range of camera and lens configurations to meet your exact surveillance requirements

Tel: +44 (0) 1920 871 734  
[www.silentsentinel.com](http://www.silentsentinel.com)



# AERON

## Aeron Uncooled Short to Medium Range Thermal Fixed Lens Camera Modules

The Silent Sentinel short to medium range uncooled thermal fixed lens camera modules are designed to provide the perfect value added video surveillance solution when integrated into the compact Aeron PT platform.



### Lens

	14mm	25mm	50mm	65mm	100mm
Focal Length	14mm	25mm	50mm	65mm	100mm
Optical Zoom (Continuous)	-	-	-	-	-
F Number	F1.4	F1.2	F1.2	F1.2	F1.6
Horizontal Field of View	44°	24.8°	12.4°	9.6°	6.2°
Focus	Fixed, preset with Athermalization				

### Camera

Detector Type	Uncooled VOx Microbolometer
Resolution	640 x 480 (Lower resolution 320 x 240 versions are available upon request)
Pixel Size	17 µm
Spectral Band	8 to 14 µm (LWIR)
Sensitivity	< 50 mK (NETd) f/1.0 @ room temperature
Frame Rate	25 Fps (9 fps, 30fps options)
Frequency	25Hz (9Hz, 30Hz options)
Digital Zoom and Pan	4x Digital zoom, Region of Interest
Video Output	IP and Composite (PAL / NTSC)
Window	Germanium thermal optical quality glass, with a Low Reflection Hard Carbon (HCLR) coating
Image Stabilisation	Yes (cost option)
Image Enhancement	Contrast enhancement
Image Control	Polarity: White Hot / Black Hot, Orientation: Invert / Revert
Part Numbers	<b>Please refer to the last page of this document for the standard Aeron product combinations</b>

### Detection, Recognition and Identification Ranges (Johnsons Criteria\*)

Detection (Human / Vehicle)	305m / 950m	550m / 1690m	1100m / 3390m	1430m / 4400m	2200m / 6760m
Recognition (Human / Vehicle)	75m / 240m	140m / 420m	275m / 850m	360m / 1100m	550m / 1690m
Identification (Human / Vehicle)	50m / 150m	85m / 260m	170m / 520m	220m / 680m	340m / 1040m

\* Human at 1.8m x 0.5m, vehicle at 2.3m<sup>2</sup>, Detection at 2 pixels, Recognition at 8 pixels and Identification at 13 pixels. 50% probability subject to environmental conditions.

# AERON

## Aeron Uncooled Short to Medium Range Thermal Zoom Lens Camera Modules

The Silent Sentinel short to medium range uncooled thermal zoom lens camera modules are designed to provide the perfect value added video surveillance solution when integrated into the compact Aeron PT platform.



Lens			
Focal Length	15mm to 100mm	26 mm to 105mm	50mm to 150mm
Optical Zoom (Continuous)	6.6x, Motorised	4x, Motorised	3x, Motorised
F Number	F1.4	F1.6	F1.6
Horizontal Field of View	42.2° (W) to 6.2° (T)	25.3° (W) to 5.9° (T)	12.5° (W) to 4.1° (T)
Focus	Manual motorised focus with Athermalization		

Camera	
Detector Type	Uncooled VOx Microbolometer
Resolution	640 x 480 (Lower resolution 320 x 240 versions are available upon request)
Pixel Size	17 µm
Spectral Band	8 to 14 µm (LWIR)
Sensitivity	< 50 mK (NETd) f/1.0 @ room temperature
Frame Rate	25 Fps (9 fps, 30fps options)
Frequency	25Hz (9Hz, 30Hz options)
Digital Zoom and Pan	4x Digital zoom, Region of Interest
Video Output	IP and Composite (PAL / NTSC)
Window	Germanium thermal optical quality glass, with a Low Reflection Hard Carbon (HCLR) coating
Image Stabilisation	Yes (cost option)
Image Enhancement	Contrast enhancement
Image Control	Polarity: White Hot / Black Hot, Orientation: Invert / Revert
Part Numbers	Please refer to the last page of this document for the standard Aeron product combinations

Detection, Recognition and Identification Ranges (Johnsons Criteria*)			
Detection (Human / Vehicle)	2200m / 6760m	2300m / 7100m	3290m / 10150m
Recognition (Human / Vehicle)	550m / 1690m	580m / 1780m	830m / 2540m
Identification (Human / Vehicle)	340m / 1040m	360m / 1090m	510m / 1560m

\* Human at 1.8m x 0.5m, vehicle at 2.3m<sup>2</sup>, Detection at 2 pixels, Recognition at 8 pixels and Identification at 13 pixels. 50% probability subject to environmental conditions.

# AERON

## Aeron Uncooled Short to Medium Range Thermal LR Zoom Lens Camera Module



The Silent Sentinel short to medium range uncooled thermal LR zoom lens camera module is designed to provide a real alternative to cooled thermal camera technology.

Creating the perfect value added video surveillance solution when integrated into the compact Aeron PT platform.

### Lens

Focal Length	15mm to 75mm
Optical Zoom (Continuous)	5x, Motorised
F Number	F1.2
Horizontal Field of View	28.7° (W) to 5.9° (T)
Focus	Manual motorised focus with push autofocus and Athermalization

### Camera

Detector Type	Uncooled VOx Microbolometer
Resolution	640 x 480
Pixel Size	12 µm
Spectral Band	7.5 to 13 µm (LWIR)
Sensitivity	< 30 mK (NETd) f/1.0 @ room temperature*
Frame Rate	25 Fps
Frequency	25Hz
Digital Zoom and Pan	4x Digital zoom, Region of Interest
Video Output	IP and Composite (PAL / NTSC)
Window	Germanium thermal optical quality glass, with a Low Reflection Hard Carbon (HCLR) coating
Image Stabilisation	Yes
Auto Tracking	Yes (cost option)
Image Enhancement	CLAHE / LAP Alpha blending
Image Control	Polarity: White hot / black hot, various user palettes Orientation: Invert / revert Shutter and scene based NUC Spatial / temporal de-noise Automatic gain control

\* As measured after image post-process techniques were applied

### Detection, Recognition and Identification Ranges\*

Detection (Human / Vehicle)	3920m / 7490m
Recognition (Human / Vehicle)	750m / 3100m
Identification (Human / Vehicle)	510m / 2100m

\* Ranges are based upon 50% probability on a MODTRAN standard atmosphere. Detailed NVIPM calculation notes available upon request.

# AERON

## Aeron Cooled Medium to Long Range Thermal Camera Modules

The Silent Sentinel medium to long range cooled thermal zoom cameras are designed to provide the perfect high quality video surveillance solution when integrated into the compact Aeron PT platform



### Lens

Focal Length	19mm to 275mm	15mm to 300mm
Optical Zoom (Continuous)	14.4x, Motorised	20x, Motorised
F Number	F5.5	F4.0
Horizontal Field of View	28.3° (W) to 2.0° (T)	35.5° (W) to 1.83° (T)
Focus	Manual motorised focus with push autofocus and Athermalization	

### Camera

Detector Type	Cooled InSb FPA
Resolution	640 x 512
Pixel Size	15 µm
Spectral Band	3.4 to 5.1 µm (MWIR)
Sensitivity	< 25 mK (NETd) @ room temperature
Frame Rate / Frequency	25Hz (30Hz option)
Cooler Type	Stirling cycle, integrated (20,000hrs)
Cool Down Time	< 10 Minutes, 6 minutes typical
Image Enhancement	Linear AGC, CLAHE, LAP
Digital Zoom	4x
Video Output	IP and Composite (PAL / NTSC)
Window	Vanadium thermal optical quality glass, with a Low Reflection Hard Carbon (HCLR) coating
Image Stabilisation	Yes
Image Control	Noise reduction, sharpen, alpha-blend. Palettes: Black-hot, white-hot, ironbow, rainbow + more
Part Numbers	<b>Please refer to the last page of this document for the standard Aeron product combinations</b>

### Detection, Recognition and Identification Ranges\*

Detection (Human / Vehicle)	8790m / 16520m	10970m / 20110m
Recognition (Human / Vehicle)	1910m / 7150m	2360m / 8790m
Identification (Human / Vehicle)	1180m / 4890m	1440m / 5960m

\* Ranges are based upon 50% probability on a MODTRAN standard atmosphere. Detailed NVIPM calculation notes available upon request.

# AERON

## Aeron Short to Medium Range HD and 4k Video Camera Modules

The Silent Sentinel short to medium range HD and 4K video cameras are designed to provide the perfect surveillance solution when integrated into the compact Aeron PT platform.

Featuring superb low light HD and 4K performance, 'Ultra Low Light' 4K performance, dynamic noise reduction (saving bandwidth), intelligent auto exposure and auto focus to enable a crisp image at range.



## HD 4K

Lens			
Focal Length	<b>4.3mm to 129mm</b>	<b>4.4mm to 88.4mm</b>	<b>35mm</b>
Optical Zoom (Continuous)	30x, Motorised	20x, Motorised	-
F Number	F1.6 to F4.7	F2.0 to F3.8	F1.4
Horizontal Field of View	63.7° (W) to 2.32° (T)	70.2° (W) to 4.1° (T)	63°
Format Size	1/2.8"	1/2.5"	No
Focus	Auto focus and motorised manual focus		
Iris	Auto iris		

Camera			
Sensor	1/2.8" CMOS Exmor (2.13MP)	1/2.5" CMOS (8.51MP)	35mm Full Frame Exmor CMOS (12.2MP)
Sensor Mode	Full HD 1080p (1920 x 1080) <b>HD</b>	QFHD 3840 x 2160 <b>4K</b>	4240 x 2832 <b>4K</b>
Wide Dynamic Range	Yes (120 dB)	Yes (480dB)	Yes (100dB)
Video Performance (High Sensitivity Mode)	Colour 0.01 lux Mono 0.0008lux	Colour 0.4 lux Colour 0.06 lux (slow shutter on)	Colour 0.0006 lux at F1.2/50 IRE Colour 0.0004 lux at F1.2/30 IRE
White Balance	Auto, push and manual		
Automatic Level Control (ALC)	Auto / manual		
Shutter	1/1 to 1/10,000		Up to 1/10,000 (variable)
Day/Night Mode	Auto, colour, monochrome	Day only	
Backlight Compensation	On / off		
Noise Reduction	Yes		Yes, XDNR® Technology
Digital Zoom	12x (360x combined)	12x (240x combined)	2x
Video Output (PAL / NTSC)	IP (HD-SDI option)	IP	IP
Window	High Definition optical quality glass, with a low reflection and water resistant coating		
Defog	Yes		
Image Stabilisation	Yes		No
Part Numbers	Please refer to the last page of this document for the standard Aeron product combinations		

Illumination Options*			
Infra Red (IR) Illuminator	LED, 850nm IR Wavelength, up to 300m	-	
White Light (WL) Illuminator	LED, WL up to 300m range		
Hybrid IR & WL Illuminator	LED, 850nm IR Wavelength, up to 210m		
Infra Red (IR) Illuminator 2	LED, 850nm IR Wavelength, up to 500m	-	
White Light (WL) Illuminator 2	LED, WL up to 500m range		
Hybrid IR & WL Illuminator 2	LED, 850nm IR Wavelength, up to 300m	-	
IR Light Bar	LED, 850nm IR up to 500m		
WL Light Bar	LED, WL up to 500m range		
Hybrid IR & WL Light Bar	LED, 850nm IR and WL up to 300m		

\* Ranges subject to camera lux sensitivity

# AERON

## Aeron Compact Pan and Tilt Unit

The Aeron's compact, robust aluminium housing is rated to IP67, it is hard anodised and has a white marine grade paint to withstand harsh environmental and marine conditions.

The Aeron employs belt drives with virtually zero backlash and the optical encoder ensures the unit retains position and will even self correct.



### Electrical and Mechanical

Repeatability	0.05°
Optical Encoder Preset Accuracy	0.01°
Pan Rotation	360° Continuous
Pan Speed	Up to 160° per second (excluding ramping)
Tilt Range	+90° to -30° upright (-68° inclined), +30° to -90° inverted
Tilt Speed	Up to 160° per second (excluding ramping)
Speed Control	Zoom dependant speed control
Position Control	Capable of retraining position without drift. Automatic position recovery if forced away by a 'non-control' intervention
Motor Drive	Long life toothed polypropylene belt drive, Pulleys bonded to keypad shafts for minimum backlash
Rotational Contacts	Heavy duty slip rings for power, data, video and switching for washer
Pan / Tilt Bearings	Sealed for life – no maintenance required
Actuation	Pan and tilt stepper motors
Position Encoders	Optical encoders on pan and tilt motors
Mounting Profile	Upright or inverted
IP rating	IP67
Temperature Range	-20°C (-4°F) Up to 65°C (149°F) (-40°C with optional heater)
Power	14 to 36vDC or 14 to 26vAC, 45W peak (100W with optional heater) (20W typical in low power mode when idle without heater)
Fixing Material	Stainless steel with external fall protection
Housing Material	Die-cast hard anodised aluminium
Housing Finish	White powder marine grade paint finish (other colours are available upon request)
Weight	9.3kg (20.5lb)
Turning Diameter	340mm / 13.40" Normal - 370mm / 14.57" Offset
Height	370mm / 14.57" Normal - 340mm / 13.86" Offset

### Telemetry

Presets	127x Preset positions, 16x preset tours (maximum of 60 positions each), four 8 minute mimic tours
Protocols	Pelco-D, Pelco P, Pelco D Extended, CBC OCP485, Forward Vision Mic1 FV300, Philips, Vicon, SSP, ONVIF Profile-S
Parameter Programming	IP, RS485 (not IP)
Privacy Zones	Maximum of eight on-screen simultaneously
Positioning	Absolute positioning
Additional features	Programmable text within picture (camera ID), parameter control (RS232 or RS485) TCP/IP prepared, compass heading (cardinal point and/or degrees), focal length dependant pan and tilt control, in built real time clock and date

### Network

Ethernet	10/100 Base-T
Connectivity	Cat5e via multicore cable tail/PSU (RJ45)
Configuration	Via web browser
Network Protocols	Networking: IPv4/v6, UDP, TCP, IGMP, ARP, DHCP, DNS, NT Streaming: RTSP, RTP, HTTP, Web Sockets Management: HTTP, HTTPS, Bonjour, ONVIF, PSIA, ION API, SNMP, SMTP Security: Basic / Digest Authentication, SSL
Latency	Can reach less than 100ms latency

# AERON

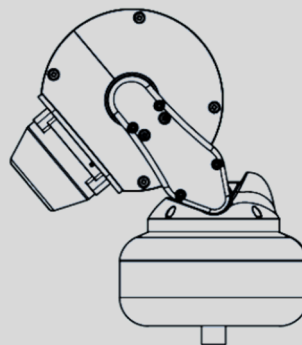
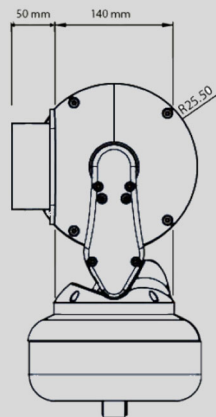
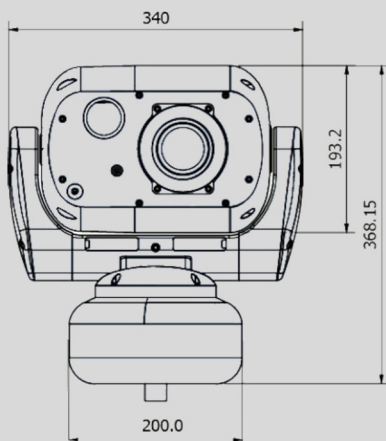
## Image Processing

Video Compression	H.264/MPEG4 Part 2, M-JPEG (H.265 option available up on request)
H.264 Performance (Standard)	Total D1 at 390 fps or Full HD 1080p at 65 fps Examples: 2x 1080p at 30 fps (HD video/thermal) or 2x D1 at 30 fps (thermal / SD)
H.264 Performance (4k 8.51MP Camera)	30 fps at 3840x2160 and 30 fps at 1080p (H.265 available as standard)
H.264 Performance (4k 12.2MP Camera)	30 fps at 3840 x 2160 (supports up to 20 clients/connections over 5 streams) (various resolutions from 320 x 180 available)
Image Processing	Image resizing and scaling ratio, noise reduction, edge enhancement (sharpness), ROI based video compression
Software Update	Remote / IP accessible
Other Features	Email notifications, Text overlay

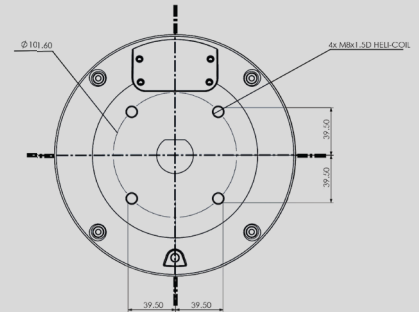
## Options

Brackets	Tower mount, pole mount, 1m pendant mount, wall mount, corner mount, swan neck mount
Wiping	Wiper nozzle and wash tank (for the video camera only)
Gyro	2 Axis gyro stabiliser
Image Fusion	Thermal and video Image Fusion with stepped preset zoom
Analogue	Analogue composite camera alternatives are available upon request
Storage	Up to 64GB in total via SD/MMC (32GB available per channel if using thermal and video / 2x cameras)
Additional Optional Modules	Bird Spike, Sunshield, Automatic Object Tracking, Image Stabilisation, White Light, Infra Red Illuminator, Hybrid White Light and Infra Red Illumination, Light Bars, Heater, Custom Paint Colours Please contact us if you have a specific requirement that is not mentioned or detailed in the part numbers

Typical Aeron Compact PTZ Camera



Aeron Fixing Points  
(base of the Aeron with an industry standard 4" PCD mount)



\* Dimensions (mm) and designs are indicative and subject to the final camera configuration/model.



# AERON

## Standard Part Codes and Configurations\*

RC4-51YJ30X-DB09FW	Aeron, IP, 640x480, 17µm thermal camera with a 65mm, F1.2 thermal lens, and a HD video camera with optical zoom of 30x, white colour
RC4-51YJ30X-DB06FW	Aeron, IP, 640x480, 17µm thermal camera with a 100mm, F1.6 thermal lens, and a HD video camera with optical zoom of 30x, white colour
RC4-51YJ30X-DB15Z100FW	Aeron, IP, 640x480, 17µm thermal camera with a 15mm-100mm, F1.4 thermal zoom lens, and a HD video camera with optical zoom of 30x, white colour
RC4-51YJ30X-DB26Z105FW	Aeron, IP, 640x480, 17µm thermal camera with a 26mm-105mm, F1.6 thermal zoom lens, and a HD video camera with optical zoom of 30x, white colour
RC4-51YJ30X-DB50Z150FW	Aeron, IP, 640x480, 17µm thermal camera with a 50mm-150mm, F1.6 thermal zoom lens, and a HD video camera with optical zoom of 30x, white colour
RC4-51YJ30X-LB15Z75FW	Aeron, IP, 640x480, 12µm LR advanced uncooled thermal camera with a 15mm-75mm, F1.2 thermal zoom lens including image stabilisation, auto tracking & auto focus, and a HD video camera with optical zoom of 30x, white colour
RC4-51YK20X-DB09FW	Aeron, IP, 640x480, 17µm thermal camera with a 65mm, F1.2 thermal lens, and a 4K video camera with 20x optical zoom, white colour
RC4-51YK20X-DB06FW	Aeron, IP, 640x480, 17µm thermal camera with a 100mm, F1.6 thermal lens, and a 4K video camera with 20x optical zoom, white colour
RC4-51YK20X-DB15Z100FW	Aeron, IP, 640x480, 17µm thermal camera with a 15mm-100mm, F1.4 thermal zoom lens, and an Ultra 4K video camera with 20x optical zoom, white colour
RC4-51YK20X-DB26Z105FW	Aeron, IP, 640x480, 17µm thermal camera with a 26mm-105mm, F1.6 thermal zoom lens, and a 4K video camera with 20x optical zoom, white colour
RC4-51YK20X-DB50Z150FW	Aeron, IP, 640x480, 17µm thermal camera with a 50mm-150mm, F1.6 thermal zoom lens, and a 4K video camera with 20x optical zoom, white colour
RC4-51YK20X-LB15Z75FW	Aeron, IP, 640x480, 12µm LR advanced uncooled thermal camera with a 15mm-75mm, F1.2 thermal zoom lens including image stabilisation, auto tracking & auto focus, and a 4K video camera with 20x optical zoom, white colour
RC4-51YM55W-DB44FW	Aeron, IP, 640x480, 17µm thermal camera with a 14mm, F1.4 thermal lens, and a 4k ultra low light video camera with a 35mm lens, white colour
RC4-51YM55W-DB25FW	Aeron, IP, 640x480, 17µm thermal camera with a 25mm, F1.2 thermal lens, and a 4k ultra low light video camera with a 35mm lens, white colour
RC4-51YM55W-DB12FW	Aeron, IP, 640x480, 17µm thermal camera with a 50mm, F1.2 thermal lens, and a 4k ultra low light video camera with a 35mm lens, white colour
RC4-51YJ30X-IB19Z275FW	Aeron, IP, 640x512, 15µm cooled thermal camera with a 19mm-275mm, F5.5 thermal zoom lens including image stabilisation & auto focus, and a HD video camera with optical zoom of 30x, white colour
RC4-51YJ30X-IB15Z300FW	Aeron, IP, 640x512, 15µm cooled thermal camera with a 15mm-300mm, F4.0 thermal zoom lens including image stabilisation & auto focus, and a HD video camera with optical zoom of 30x, white colour
RC4-51YK20X-IB19Z275FW	Aeron, IP, 640x512, 15µm cooled thermal camera with a 19mm-275mm, F5.5 thermal zoom lens including image stabilisation & auto focus, and a 4K video camera with 20x optical zoom, white colour
RC4-51YK20X-IB15Z300FW	Aeron, IP, 640x512, 15µm cooled thermal camera with a 15mm-330mm, F4.0 thermal zoom lens including image stabilisation & auto focus,, and a 4K video camera with 20x optical zoom, white colour
RC4-50YM55W-IYJ30XW	Aeron, IP, 4k Ultra Low Light video camera with a 35mm lens, and a HD video camera with optical zoom of 30x, white colour
RC4-50YM55W-DB44FW	Aeron, IP, 4k Ultra Low Light video camera with a 14mm lens, and 640x480, 17µm thermal camera with a 14mm, F1.4 thermal lens, white colour
RC4-50YM55W-DB25FW	Aeron, IP, 4k Ultra Low Light video camera with a 55mm lens, and 640x480, 17µm thermal camera with a 25mm, F1.2 thermal lens, white colour
RC4-50YM55WDB12FW	Aeron, IP, 4k Ultra Low Light video camera with a 55mm lens, and 640x480, 17µm thermal camera with a 50mm, F1.2 thermal lens, white colour
RC4-52YJ30X-RAW	Aeron, IP, HD video camera with optical zoom of 30x, and built in infra-red illumination (up to 300m), white colour
RC4-52YJ30X-WAW	Aeron, IP, HD video camera with optical zoom of 30x, and built in white light illumination (up to 300m), white colour
RC4-52YK20X-WAW	Aeron, IP, 4K video camera with 20x optical zoom, and built in white light illumination (up to 300m), white colour
RC4-52YJ30X-HAW	Aeron, IP, HD video camera with optical zoom of 30x, and built in infra-red and white light hybrid illumination (up to 210m), white colour
RC4-52YJ30X-RA2W	Aeron, IP, HD video camera with optical zoom of 30x, and built in infra-red illumination (up to 500m), white colour
RC4-52YJ30X-WA2W	Aeron, IP, HD video camera with optical zoom of 30x, and built in white light illumination (up to 500m), white colour
RC4-52YK20X-WA2W	Aeron, IP, 4K video camera with 20x optical zoom, and built in white light illumination (up to 500m), white colour
RC4-52YJ30X-HA2W	Aeron, IP, HD video camera with optical zoom of 30x, and built in infra-red and white light hybrid illumination (up to 300m), white colour

\* Please contact us if you have a specific requirement that is not mentioned in the datasheet or detailed in the part numbers above.