

MODUM LITE

HIGH ACCURACY STANDOFF BODY TEMPERATURE DETECTION



The Modum Lite is a highly accurate temperature detection and profiling system. When deployed with the optional blackbody, the Modum Lite is accurate to within 0.3 degrees making it perfect for standoff elevated body temperature detection requirements.

The Modum Lite is designed to be deployed as a standalone system (or as part of a networked system). This allows for a portable and rapid deployment as a standalone system.

The Modum Lite is part of the Modum family of body temperature detection cameras, with its sister camera, the Fixed Modum (which features a HD video module as well as thermal).

KEY FEATURES

- High accuracy 0.5 degrees (0.3 degrees when supplied with blackbody)
- High 640 x 512 and low 384 x 288 resolution options
- Heat measurement up to 5m away
- SDK support
- Can be paired with a blackbody for temperature reference
- Options available including laptop, blackbody, and a trolley



MODUM LITE

Modum Lite camera (mounts not shown)



Power

Ethernet Cable
(PoE available)

BLACKBODY OPTION

Thermal Blackbody (mounts not shown)



Power

LAPTOP OPTION

Laptop



Power

MODUM LITE

HIGH ACCURACY STANDOFF BODY TEMPERATURE DETECTION



GENERAL

Part	FD384H	FD640H
Lens	7.8mm	15mm
Field of View	47.0°(H) x 35.6°(V)	33.3° (H) x 27.0° (V)
Detector	VOx uncooled thermal FPA	
Resolution	384x288	640x512
Pixel Size	17µm	14µm
Spectral Band	8 to 14µm (LWIR)	
Sensitivity	<40mK @ 25°C, F1.0	
Frequency	50Hz	
Measurement Range	1-5m	

THERMAL IMAGE

Image Adjustments	Brightness, Contrast, Manual/Auto
Polarity	Hot / cold (colour related to the chosen palette)
Palette	16 Colour Palettes
Focus	Electronic Autofocus, Manual Focus
Image Process	NUC / DDE / Digital Filtering Noise Reduction
ROI	Yes

TEMPERATURE MEASUREMENT

Measurement Range	0°C to 60°C
Measurement Accuracy	±0.5°C at 33°C to 42°C of target temperature (±0.3°C with blackbody)
Working Temperature	16 to 32°C (with 0.3°C accuracy with blackbody)
Measurement Tools	Heat Measurement Box (drawn on screen)
Time to Stabilise	< 10 Minutes (from power up)
Measurement Stable Time	<10s (fastest)
Temperature Correction	Manual / Auto Correction

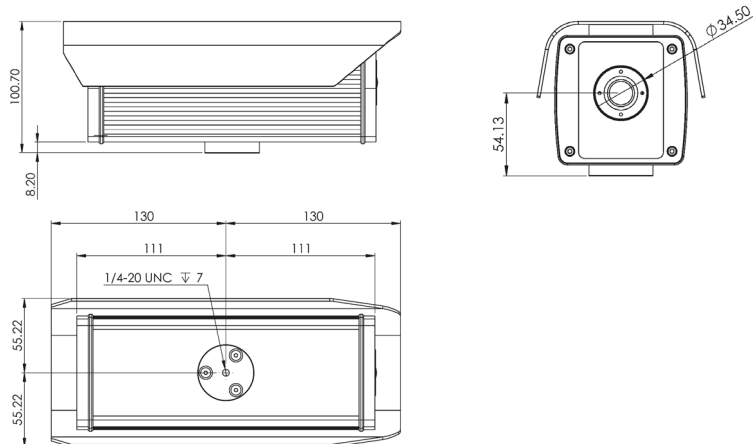
IMAGE PRESENTATION

Video Output	IP RTSP / SDK Integration
Video over IP	ONVIF stream

TELEMETRY

Protocols	SDK/Custom IP Alerts* and ONVIF Motion Start Alert for Temperature Alarm**
*To allow integrated custom IP protocols **Delivery by SSL ONVIF bridge software	

MECHANICAL DRAWINGS



PHYSICAL CHARACTERISTICS

Part Number	RCF
Input Voltage	Nominal 24VDC or PoE
Power Consumption	Typical: 53W, Peak:100W
Housing Material	Iridized aluminium, powder marine grade paint finish
Camera Weight	2.65kg / 5.8lb
Camera Size (mm)	H101 x W111 x D260
Colour	Black

INTERFACES

Ethernet	Command and control of all functions including streaming of H.264 Video
Connectors	Stand Unit (1x RJ45, 1x 2.5mm DC Jack)

ENVIRONMENTAL

Temperature Range	-30°C (-22°F) up to 65°C (149°F) [-40°C with optional heater]
-------------------	---

BLACKBODY (OPTIONAL)

Voltage Input	110-240VAC
Power	260W Peak
Working Temperature	5-100°C
Time to Stabilise	<5 Minutes
Blackbody Weight	1.5kg / 3.3lb
Black Body Size (mm)	H110 x W150 x D195
IP Rating	IP42
Colour	White

MINIMUM PC/LAPTOP HARDWARE SPECIFICATION

CPU	I5 (or equivalent)*
RAM	8GB
Operating System	Windows 10
Monitor Resolution	HD
Hard Drive	Minimum 256GB

* The CPU processor should have a score greater than 7500 from the following Website: www.cpubenchmark.net

MODUM PART NUMBERS

RCF-L-FD384H	Modum LITE Including - Modum elevated body temperature detection camera (384x288, 7.8mm lens), Modum camera tripod, Modum camera wall mount, Modum PSU, 5m cable assembly, and software on a USB flash drive.
RCF-L-FD640H	Modum LITE Including - Modum elevated body temperature detection camera (640x512, 15mm lens), Modum camera tripod, Modum camera wall mount, Modum PSU, 5m cable assembly, and software on a USB flash drive.

OPTIONAL ACCESSORIES

RCF-BB	Thermal blackbody, blackbody tripod, and blackbody wall mount
RCF-LAPTOP	Pre-configured laptop
RCF-TROLLEY	Modum system trolley

Specifications may be subject to change without notice.
15/06/20 V4.0

WWW.SILENTSENTINEL.COM
+44 (0) 1920 871 734



UK Manufacturer

SILENT SENTINEL
VISION & MOTION CONTROL