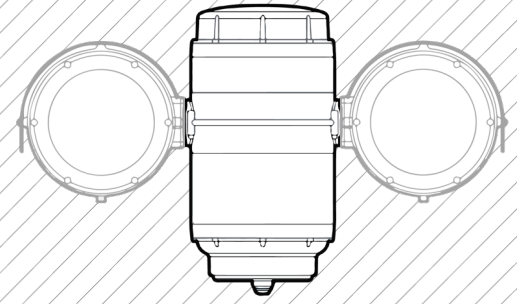


OSIRIS PTU



OSIRIS HARMONIC DRIVE PTU (PAN & TILT UNIT)

| | |
|----------------------|---|
| Part Number | OPT-I360045W |
| Pan Range; Velocity | 360° continuous; 0.02° - 45.0° per second |
| Tilt Range; Velocity | -90° to +90°; 0.02° - 45.0° per second |
| Accuracy | 0.002° / 0.035 mRad |
| Repeatability | 0.002° / 0.035 mRad |
| Actuation | Custom stepper motors |
| Speed Control | Zoom dependant speed control (subject to payload) |

TELEMETRY

| | |
|-------------|--|
| Presets | 127x Preset positions, 16x preset tours |
| Protocols | Pelco D, Pelco D Extended, ONVIF Profile-S |
| Interface | RS485, ONVIF Profile-S, Serial <-> IP |
| Positioning | Absolute positioning feedback |

PHYSICAL CHARACTERISTICS

| | |
|-------------------|---|
| Input Voltage | Nominal 30vDC [28-32vDC] |
| Power Consumption | Typical: 33W, peak: 50W (excluding payloads) |
| Housing Material | Anodised aluminium, white powder marine grade paint finish (other colours are available upon request) |
| PTU Weight | 15.2kg / 35.5lb (excluding mounts and payloads, payload capacity 50kg) |
| PTU Size (mm) | H361.3 x W225 x D225 (excluding mounts and payloads) |

INTERFACES

| | |
|----------|---|
| Ethernet | Command and control of all functions including streaming of H.264 video |
| RS485 | Command and control of all functions and firmware upgrade |

ENVIRONMENTAL

| | |
|-------------------|---|
| IP Rating | IP67 |
| Temperature Range | -30°C [-22°F] up to 65°C [149°F] [-40°C with optional heater] |

OSIRIS BELT DRIVE PTU (PAN & TILT UNIT)

| | |
|----------------------|---|
| Part Number | OPT-I360100W |
| Pan Range; Velocity | 360° continuous; 0.02° - 100.0° per second |
| Tilt Range; Velocity | -90° to +90°; 0.02° - 100.0° per second |
| Accuracy | 0.02° / 0.349 mRad |
| Repeatability | 0.02° / 0.349 mRad |
| Actuation | Custom stepper motors |
| Speed Control | Zoom dependant speed control (subject to payload) |

TELEMETRY

| | |
|-------------|--|
| Presets | 127x Preset positions, 16x preset tours |
| Protocols | Pelco D, Pelco D Extended, ONVIF Profile-S |
| Interface | RS485, ONVIF Profile-S, Serial <-> IP |
| Positioning | Absolute positioning feedback |

PHYSICAL CHARACTERISTICS

| | |
|-------------------|---|
| Input Voltage | Nominal 30vDC [28-32vDC] |
| Power Consumption | Typical: 33W, peak: 50W (excluding payloads) |
| Housing Material | Anodised aluminium, white powder marine grade paint finish (other colours are available upon request) |
| PTU Weight | 12.6kg / 27.7lb (excluding mounts and payloads, payload capacity 15kg) |
| PTU Size (mm) | H271 x W223 x D223 (excluding mounts and payloads) |

INTERFACES

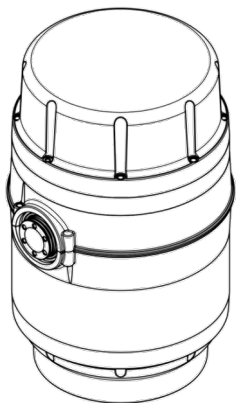
| | |
|----------|---|
| Ethernet | Command and control of all functions including streaming of H.264 video |
| RS485 | Command and control of all functions and firmware upgrade |

ENVIRONMENTAL

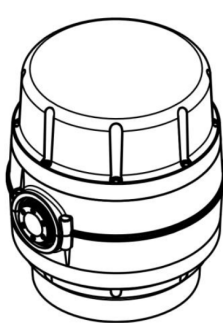
| | |
|-------------------|---|
| IP Rating | IP67 |
| Temperature Range | -30°C [-22°F] up to 65°C [149°F] [-40°C with optional heater] |

TYPICAL OSIRIS PTU

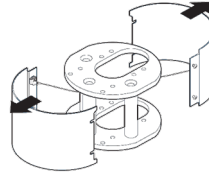
Osiris Harmonic PTU Platform



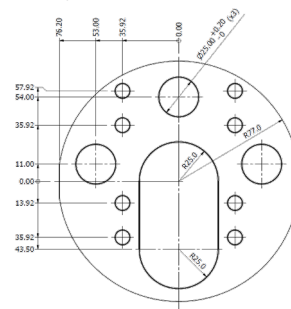
Osiris Belt PTU Platform



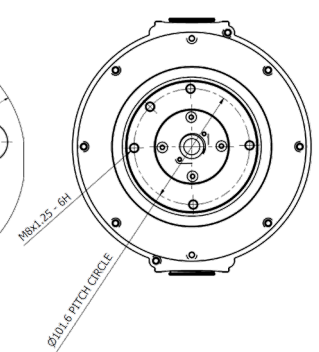
Optional 'Osiris Mount'



Optional 'Osiris Mount' Plate



Osiris PTU 4" PCD Fixings



* Illustrations are indicative and subject to the final configuration/model.

PART NUMBERS

| | |
|--------------|--|
| OPT-I360045W | Osiris PTU, IP, white colour |
| OPT-I360100W | Osiris PTU, IP, belt drive version, white colour |