

* Illustration indicative & subject to model, side brackets/cameras are part of the payload

OSIRIS PTU

Powered by
NexOS

OSIRIS PAN & TILT UNIT (PTU)

Part Number	OPTX-I360100W
Pan Range; Velocity	360° Continuous; 0.001° - 100° per second*
Tilt Range; Velocity	-90° to +90°; 0.001° - 100° per second*
Accuracy	0.0001° / 0.0017 mRad
Repeatability	0.0001° / 0.0017 mRad
Actuation	Custom stepper motors
Speed Control	Zoom dependant speed control (subject to payload)

TELEMETRY

Presets Types	Procedural, Positional
Number of Presets	255
Protocols	Pelco D, ONVIF Profile-S (custom available on request)
Interface	RS485, ONVIF Profile-S, Serial <> IP
Positioning	Absolute positioning feedback

PHYSICAL CHARACTERISTICS

Input Voltage	48VDC
Housing Material and Finish	Anodised aluminium, white powder marine grade paint finish (other colours are available upon request)
PTU Weight (Typical)	18.3kg / 40.4lb (excluding mounts, bracket, and payloads)
PTU Size (Typical)	H450 x W238 x D238mm (excluding mounts, brackets and payloads)

INTERFACES

Ethernet	Command and control of all functions including streaming of H.264, H.265 and MJPEG video
RS485	Pelco D command and control with custom procedural extensions

NexOS **

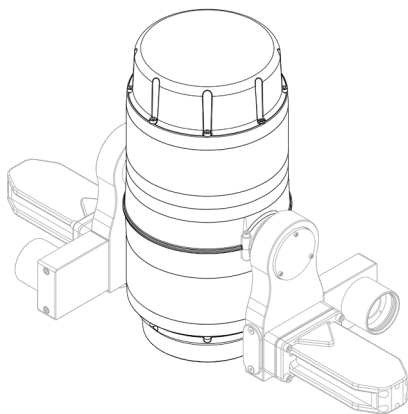
NexOS Core (Standard)	NexOS Core includes: Push autofocus, continuous autofocus, continuous autofocus with automatic ROI, digital zoom, image contrast enhancements, CLAHE, de-fog, electronic image stabilisation (2D), static overlays, remote upgrades, remote diagnostics
NexOS Performance Pack (Cost Option)	In addition to NexOS Core, includes: Electronic image stabilisation (3D), target tracking, target classification, event detection, dynamic overlays, dynamic boresight, dynamic absolute positioning, edge recording

ENVIRONMENTAL

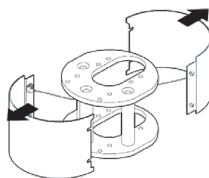
IP Rating	IP67
Temperature Range	-32°C (-25°F) up to 65°C (149°F) (-40°C/°F with optional Cold Weather Pack)

TYPICAL OSIRIS PAN AND TILT UNIT (PTU)

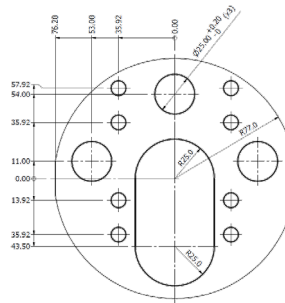
Osiris PTU Platform



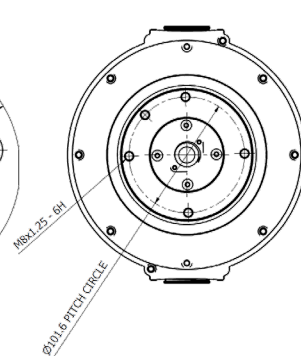
Optional 'Osiris Mount'



Optional 'Osiris Mount' Plate



Osiris PTU 4" PCD Fixings



Illustrations are indicative and subject to the final configuration/model. Single side brackets are part of the payload.

PART NUMBERS

OPTX-I360100W Osiris PTU, IP, NexOS, white colour

* Maximum pan and tilts speeds may be restricted depending on the payload types.

** Subject to payload types.

