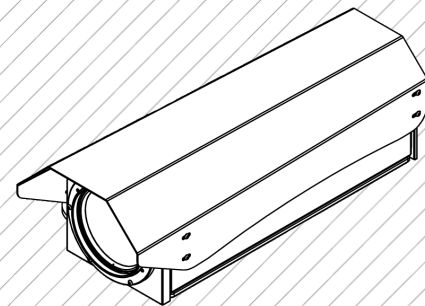


COOLED THERMAL CAMERAS

Powered by
NexOS



* Illustration indicative & subject to model

SD COOLED MWIR THERMAL ZOOM LENS CAMERAS

THERMAL SENSOR

| | | | |
|---------------------------|--|-----------------------|-----------------------|
| Part Number | RHTX071GB16Z300FW | RHTX071GB30Z550FW | RHTX071GB43Z785FW |
| Focal Length | 16.6mm to 300mm | 30.5mm to 550mm | 43.6mm to 785mm |
| Horizontal Field of View | 32.0° (W) to 1.8° (T) | 18.0° (W) to 1.0° (T) | 12.6° (W) to 0.7° (T) |
| F Number | F4.0 | | |
| Optical Zoom (Continuous) | 18x, Motorised | 18x, Motorised | 18x, Motorised |
| Digital Zoom | 20x | | |
| Focus | Push autofocus, continuous autofocus, continuous autofocus with automatic ROI, manual | | |
| Detector Type | XBn, 20mK (NETd) @ room temperature, <30mK (Temporal NETd) @ room temperature, 30Hz, 15µm, 640 x 512 {extended 50,000 hour (MTBF) cooler is a cost option} | | |
| Spectral Band | 3 to 5µm (MWIR) | | |
| Image Processing | Adaptive histogram equalization, linear AGC, manual gain and offset, sharpness control, edge enhancement, 7x colour palette options including monochrome | | |
| Compatible PTU's | Osiris PTU and Jaegar PTU | | Jaegar PTU Only |

NexOS *

| | |
|--------------------------------------|--|
| NexOS Core (Standard) | NexOS Core includes: Push autofocus, continuous autofocus, continuous autofocus with automatic ROI, digital zoom, image contrast enhancements, CLAHE, electronic image stabilisation (2D), static overlays, remote upgrades, remote diagnostics |
| NexOS Performance Pack (Cost Option) | In addition to NexOS Core, includes: Electronic image stabilisation (3D), target tracking, target classification, event detection, dynamic overlays, dynamic boresight, dynamic absolute positioning, edge recording |

ELECTRICAL AND MECHANICAL

| | | | |
|--|---|---------------|-----------------------|
| Boresight with Rapid Release Mechanism | Anodised aluminium, quick release bracket with micro adjustment boresight mechanism | | |
| Video Output | RTSP, ONVIF from PTU (H.264, H.265 and MJPEG) | | |
| IP Rating | IP67 | | |
| Temperature Range | -32°C (-25°F) Up to 65°C (149°F) (-40°C/°F with optional Cold Weather Pack) | | |
| Input Voltage | 48VDC | | |
| Fixing Material | Stainless steel | | |
| Housing Material and Finish | Anodised aluminium (nitrogen purged), white powder marine grade paint finish | | |
| Weight (Typical) | 18.5kg / 40.8lb | 19kg / 41.9lb | 35kg / 77.2lb |
| Dimensions (Typical) | L740 x W298 x H249mm | | L1000 x W319 x H292mm |

PART CODES

| | |
|-------------------|--|
| RHTX071GB16Z300FW | Cooled thermal IP camera, with a 16.6-300mm, F4.0 thermal zoom lens and array format of 640x512, 15µm, 30Hz, NexOS, white colour |
| RHTX071GB30Z550FW | Cooled thermal IP camera, with a 30.5-550mm, F4.0 thermal zoom lens and array format of 640x512, 15µm, 30Hz, NexOS, white colour |
| RHTX071GB43Z785FW | Cooled thermal IP camera, with a 43.6-785mm, F4.0 thermal zoom lens and array format of 640x512, 15µm, 30Hz, NexOS, white colour |
| Options | All optional features, modules, cable and ancillary part numbers are available upon request |

Specifications may be subject to change without notice.
E&EO 25/10/23 V4.5

* NexOS cameras to be sold with a Silent Sentinel NexOS PTU, capabilities are be subject to camera type.

WWW.SILENTSENTINEL.COM
+44 (0) 1920 871 734

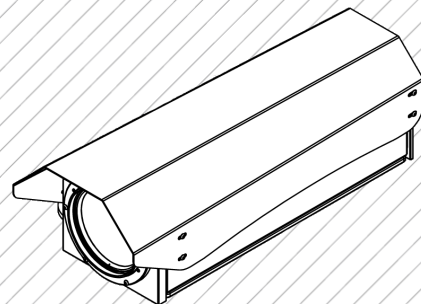


UK Manufacturer



COOLED THERMAL CAMERAS

Powered by
NexOS



* Illustration indicative & subject to model

HD COOLED MWIR THERMAL ZOOM LENS CAMERAS

THERMAL SENSOR

| | | | | | |
|---------------------------|---|--|-----------------------|-----------------------|----------------------|
| Part Number | RHTX07IGD55Z550FW | RHTX07IGD43Z785FW | RHTX07IGD75Z900FW | RHTX07IGD55Z1000FW | RHTX07IGD100Z1200FW |
| Focal Length | 55mm to 550mm | 43.6mm to 785mm | 75mm to 900mm | 55.5mm to 1000mm | 100mm to 1200mm |
| Horizontal Field of View | 13.3° (W) to 1.3° (T) | 16.6° (W) to 0.9° (T) | 9.8° (W) to 0.82° (T) | 13.3° (W) to 0.7° (T) | 7.3° (W) to 0.6° (T) |
| F Number | F4.0 | | | | |
| Optical Zoom (Continuous) | 10x, Motorised | 18x, Motorised | 12x, Motorised | 18x, Motorised | 12x, Motorised |
| Digital Zoom | 20x | | | | |
| Focus | Push autofocus, continuous autofocus, continuous autofocus with automatic ROI, manual | | | | |
| Detector Type | XBn, 20mK (NETd) @ room temperature, <30mK (Temporal NETd) @ room temperature, 30Hz, 10µm, HD (1280 x 1024) {extended 50,000 hour (MTBF) cooler is a cost option} | | | | |
| Spectral Band | 3 to 5µm (MWIR) | | | | |
| Image Processing | Adaptive histogram equalization, linear AGC, manual gain and offset, sharpness control, edge enhancement, 7x colour palette options including monochrome | | | | |
| ATCOM | - | ATCOM (cost option) Includes turbulence mitigation, LACE and super resolution | | | |
| Compatible PTU's | Osiris PTU and Jaegar PTU | Jaegar PTU Only | | | |

NexOS *

| | |
|--------------------------------------|--|
| NexOS Core (Standard) | NexOS Core includes: Push autofocus, continuous autofocus, continuous autofocus with automatic ROI, digital zoom, image contrast enhancements, CLAHE, electronic image stabilisation (2D), static overlays, remote upgrades, remote diagnostics |
| NexOS Performance Pack (Cost Option) | In addition to NexOS Core, includes: Electronic image stabilisation (3D), target tracking, target classification, event detection, dynamic overlays, dynamic boresight, dynamic absolute positioning, edge recording |

ELECTRICAL AND MECHANICAL

| | | | | | |
|--|---|-----------------------|-----------------------|-----------------------|-----------------------|
| Boresight with Rapid Release Mechanism | Anodised aluminium, quick release bracket with micro adjustment boresight mechanism | | | | |
| Video Output | RTSP, ONVIF from PTU (H.264, H.265 and MJPEG) | | | | |
| IP Rating | IP67 | | | | |
| Temperature Range | -32°C (-25°F) Up to 65°C (149°F) (-40°C/°F with optional Cold Weather Pack) | | | | |
| Input Voltage | 48VDC | | | | |
| Fixing Material | Stainless steel | | | | |
| Housing Material and Finish | Anodised aluminum (nitrogen purged), white powder marine grade paint finish | | | | |
| Weight (Typical) | 19kg / 41.9lb | 35kg / 77.2lb | 38kg / 87.8lb | 50kg / 110.2lb | 58kg / 127.9lb |
| Dimensions (Typical) | L740 x W298 x H249mm | L1000 x W319 x H292mm | L1000 x W319 x H292mm | L1000 x W319 x H292mm | L1000 x W319 x H292mm |

PART CODES

| | |
|---------------------|--|
| RHTX07IGD55Z550FW | HD Cooled thermal IP camera, with a 55-550mm, F4.0 thermal zoom lens and array format of 1028x1024, 10µm, 30Hz, NexOS, white colour |
| RHTX07IGD43Z785FW | HD Cooled thermal IP camera, with a 43.6-785mm, F4.0 thermal zoom lens and array format of 1280x1024, 10µm, 30Hz, NexOS, white colour |
| RHTX07IGD75Z900FW | HD Cooled thermal IP camera, with a 75-900mm, F4.0 thermal zoom lens and array format of 1280x1024, 10µm, 30Hz, NexOS, white colour |
| RHTX07IGD55Z1000FW | HD Cooled thermal IP camera, with a 55.5-1000mm, F4.0 thermal zoom lens and array format of 1280x1024, 10µm, 30Hz, NexOS, white colour |
| RHTX07IGD100Z1200FW | HD Cooled thermal IP camera, with a 100-1200mm, F4.0 thermal zoom lens and array format of 1280x1024, 10µm, 30Hz, NexOS, white colour |
| Options | All optional features, modules, cable and ancillary part numbers are available upon request |

Specifications may be subject to change without notice.
E&EO 25/10/23 V4.5

* NexOS cameras to be sold with a Silent Sentinel NexOS PTU, capabilities are be subject to camera type.

WWW.SILENTSENTINEL.COM
+44 (0) 1920 871 734

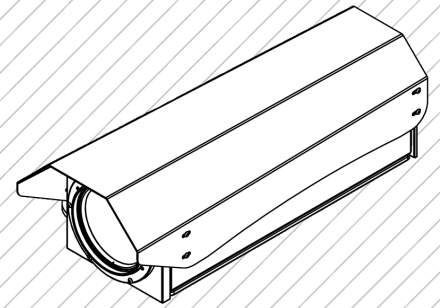


UK Manufacturer



COOLED THERMAL CAMERAS

Powered by
NexOS



* Illustration indicative & subject to model

FURTHER OPTIONS

OPTIONS

Miscellaneous

Laser range finder*, laser illuminator*, white light illuminator*, IR illuminator*, signal light gun*, UAV effector*, acoustic hailer*, cold weather pack*.

* (When part of a PTU system)

PLEASE CONTACT US FOR A SPECIFIC CONFIGURATION

* NexOS cameras to be sold with a Silent Sentinel NexOS PTU, capabilities are be subject to camera type.

WWW.SILENTSENTINEL.COM

+44 (0) 1920 871 734



UK Manufacturer

Specifications may be subject to change without notice.
E&EO 25/10/23 V4.5

SILENT SENTINEL
VISION & MOTION CONTROL