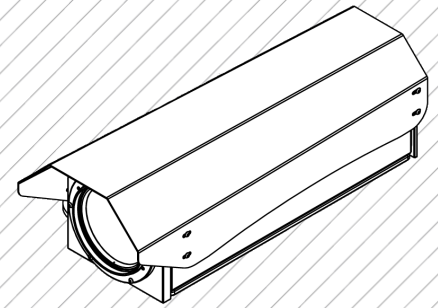




# EVO2 THERMAL CAMERAS

UNCOOLED THERMAL ZOOM LENS, 640x512 SENSORS



\* Illustration indicative & subject to model

## THERMAL IMAGER

Part Number	RHTX07IEB20Z100FW	RHTX07IEB26Z105FW	RHTX07IEB30Z150FW	RHTX07IEB30Z180FW	RHTX07IEB25Z225FW	RHT07XIEB20Z300FW
Focal Length	20mm to 100mm	26mm to 105mm	30mm to 150mm	30mm to 180mm	25mm to 225mm	20mm to 300mm
Horizontal Field of View	22° (W) to 4.4° (T)	16.9° (W) to 4.2° (T)	14.7° (W) to 2.9° (T)	14.7° (W) to 2.4° (T)	17.6° (W) to 2.0° (T)	22.0° (W) to 1.5° (T)
F Number	F1.1	F1.6	F1.2	F1.2	F1.5	F1.5
Optical Zoom (Continuous)	5x, Motorised	4x, Motorised	5x, Motorised	6x, Motorised	9x, Motorised	15x, Motorised
Digital Zoom	20x					
Focus	Push autofocus, continuous autofocus, continuous autofocus with automatic ROI, manual					
Detector Type	Uncooled VOx microbolometer, ≤50mK (at 25°C, F1.0), 50Hz, 12µm, 640 x 512					
Spectral Band	7.5 to 14µm (LWIR) / 8 to 14µm					
Image Processing	Non-Uniform Correction (NUC), noise filtering, polarity control, Digital Detail Enhancement (DDE), polarity: white hot / black hot, 18x colour palettes					

## NexOS \*

NexOS Core (Standard)	NexOS Core includes: Push autofocus, continuous autofocus, continuous autofocus with automatic ROI, digital zoom, image contrast enhancements, CLAHE, electronic image stabilisation (2D), static overlays, remote upgrades, remote diagnostics
NexOS Performance Pack (Cost Option)	In addition to NexOS Core, includes: Electronic image stabilisation (3D), target tracking, target classification, event detection, dynamic overlays, dynamic boresight, dynamic absolute positioning, edge recording

## ELECTRICAL AND MECHANICAL

Boresight with Rapid Release Mechanism	Anodised aluminium, quick release bracket with micro adjustment boresight mechanism	
Video Output	RTSP, ONVIF from PTU (H.264, H.265 and MJPEG)	
IP Rating	IP67	
Temperature Range	-32°C (-25°F) Up to 65°C (149°F) (-40°C/°F with optional Cold Weather Pack)	
Input Voltage	48VDC	
Fixing Material	Stainless steel	
Housing Material and Finish	Anodised aluminum (nitrogen purged), white powder marine grade paint finish (other colours are available upon request)	
Weight (Typical)	18.3Kg / 40.3lb	25Kg / 55.1lb
Dimensions (Typical)	L740 x W298 x H249mm	L1000 x W319 x H292mm
Compatible PTU's	Osiris PTU and Jaegar PTU	Jaegar PTU only

## PART CODES

RHTX07IEB20Z100FW	EVO2 Thermal IP camera, with a 20-100mm, F1.1 thermal zoom lens and array format of 640x512, 12µm, 50Hz, NexOS, white colour
RHTX07IEB26Z105FW	EVO2 Thermal IP camera, with a 26-105mm, F1.6 thermal zoom lens and array format of 640x512, 12µm, 50Hz, NexOS, white colour
RHTX07IEB30Z150FW	EVO2 Thermal IP camera, with a 30-150mm, F1.2 thermal zoom lens and array format of 640x512, 12µm, 50Hz, NexOS, white colour
RHTX07IEB30Z180FW	EVO2 Thermal IP camera, with a 30-180mm, F1.2 thermal zoom lens and array format of 640x512, 12µm, 50Hz, NexOS, white colour
RHTX07IEB25Z225FW	EVO2 Thermal IP camera, with a 25-225mm, F1.5 thermal zoom lens and array format of 640x512, 12µm, 50Hz, NexOS, white colour
RHTX07IEB20Z300FW	EVO2 Thermal IP camera, with a 20-300mm, F1.5 thermal zoom lens and array format of 640x512, 12µm, 50Hz, NexOS, white colour
Options	All optional features, modules, cable and ancillary part numbers are available upon request

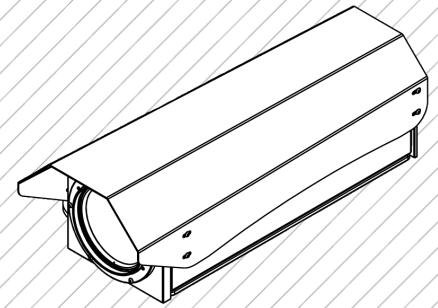
\* NexOS cameras to be sold with a Silent Sentinel NexOS PTU, capabilities are be subject to camera type.

Specifications may be subject to change without notice.  
E&OE 25/10/2023 V4.3



# EVO2 THERMAL CAMERAS

HD UNCOOLED THERMAL ZOOM LENS, 1280x1024 SENSORS



\* Illustration indicative & subject to model

## THERMAL IMAGER

Part Number	RHTX07IED25Z75FW	RHTX07IED30Z150FW	RHTX07IED25Z225FW	RHTX07IED30Z300FW
Focal Length	25mm to 75mm	30mm to 150mm	25mm to 225mm	30mm to 300mm
Horizontal Field of View	36.7° (W) to 11.5° (T)	28.7° (W) to 5.9° (T)	34.2° (W) to 3.9° (T)	29.0° (W) to 2.9° (T)
F Number	F1.2	F1.2	F1.5	F1.5
Optical Zoom (Continuous)	3x, Motorised	5x, Motorised	9x, Motorised	10x, Motorised
Digital Zoom	20x			
Focus	Push autofocus, continuous autofocus, continuous autofocus with automatic ROI, manual			
Detector Type	Uncooled VOx microbolometer, ≤50mK (at 25°C, F1.0), 30Hz, 12µm, HD (1280 x 1024)			
Spectral Band	7.5 to 14µm (LWIR / 8 to 14µm)			
Image Processing	Non-Uniform Correction (NUC), noise filtering, polarity control, Digital Detail Enhancement (DDE), polarity: white hot / black hot, 18x colour palettes			

## NexOS \*

NexOS Core (Standard)	NexOS Core includes: Push autofocus, continuous autofocus, continuous autofocus with automatic ROI, digital zoom, image contrast enhancements, CLAHE, electronic image stabilisation (2D), static overlays, remote upgrades, remote diagnostics
NexOS Performance Pack (Cost Option)	In addition to NexOS Core, includes: Electronic image stabilisation (3D), target tracking, target classification, event detection, dynamic overlays, dynamic boresight, dynamic absolute positioning, edge recording

## ELECTRICAL AND MECHANICAL

Boresight with Rapid Release Mechanism	Anodised aluminium, quick release bracket with micro adjustment boresight mechanism	
Video Output	RTSP, ONVIF from PTU (H.264, H.265 and MJPEG)	
IP Rating	IP67	
Temperature Range	-32°C (-25°F) Up to 65°C (149°F) (-40°C/°F with optional Cold Weather Pack)	
Power	48VDC	
Fixing Material	Stainless steel	
Housing Material and Finish	Anodised aluminum (nitrogen purged), white powder marine grade paint finish (other colours are available upon request)	
Weight (Typical)	18.3Kg / 40.3lb	25Kg / 55.1lb
Dimensions (Typical)	L740 x W298 x H249mm	L1000 x W319 x H292mm
Compatible PTU's	Osiris PTU and Jaegar PTU	Jaegar PTU only

## PART CODES

RHTX07IED25Z75FW	EVO2 HD Thermal IP camera, with a 25-75mm, F1.2 thermal zoom lens and array format of 1280x1024, 12µm, 30Hz, NexOS, white colour
RHTX07IED30Z150FW	EVO2 HD Thermal IP camera, with a 30-150mm, F1.2 thermal zoom lens and array format of 1280x1024, 12µm, 30Hz, NexOS, white colour
RHTX07IED25Z225FW	EVO2 HD Thermal IP camera, with a 25-225mm, F1.5 thermal zoom lens and array format of 1280x1024, 12µm, 30Hz, NexOS, white colour
RHTX07IED30Z300FW	EVO2 HD Thermal IP camera, with a 30-300mm, F1.35 thermal zoom lens and array format of 1280x1024, 12µm, 30Hz, NexOS, white colour
Options	All optional features, modules, cable and ancillary part numbers are available upon request

\* NexOS cameras to be sold with a Silent Sentinel NexOS PTU, capabilities are be subject to camera type.

Specifications may be subject to change without notice.  
E&OE 25/10/2023 V4.3

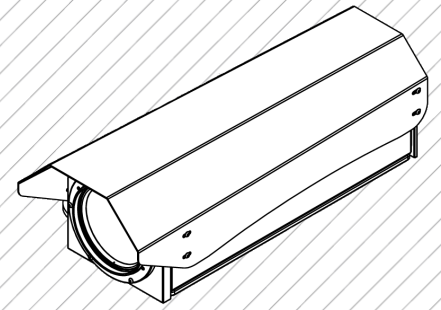


Technical Sheet

Powered by  
**NexOS**

# EVO2 THERMAL CAMERAS

FURTHER OPTIONS



\* Illustration indicative & subject to model

## OPTIONS

Thermal Sensor	1024 x 768 (XGA) options available upon request
Miscellaneous	Laser range finder*, laser illuminator*, white light illuminator*, IR illuminator*, signal light gun*, UAV effector*, acoustic hailer*, cold weather pack*.  * (When part of a PTU system)

PLEASE CONTACT US FOR A SPECIFIC CONFIGURATION

\* NexOS cameras to be sold with a Silent Sentinel NexOS PTU, capabilities are be subject to camera type.

